



ULTIMHEAT

HEAT & CONTROLS



FLOAT LEVEL SWITCHES VERTICAL & HORIZONTAL MODELS FOR OEM APPLICATIONS

- Pressure switches & air switches:
- Flow switches & combination controls:

See catalogue No.5

See catalogue No.6




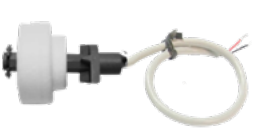




Contact us







Because of permanent improvement of our products, drawings, descriptions, features used on these data sheets are for guidance only and can be modified without prior advice

Section 1	Summary	P1-P2
Section 2	Historical and technical foreword on level switches	P1
	Technical information	P2-P10
Section 3	List of references	P1-P4

Vertical level switches using reed switch				P1-P12
--	--	--	--	---------------

Section 4		DM1	Reed switch contact, M8 thread, 25 × 15 mm polypropylene hollow float, wires output	P3
		DM2	Reed switch contact, M8 thread, 29 × 16 mm polypropylene hollow float, wires output, bottom level detection	P4
		DM3	Reed switch contact, M8 thread, 20 × 16 mm EPS foam float, wires output	P5
		DM4	Reed switch contact, M8 thread, 29 × 16 mm EPS foam float, wires output, bottom level detection	P6
		DM5	Reed switch contact, side tab mounting, 20 × 16 mm EPS foam float, wires output	P7
		DM6	Reed switch contact, side tab mounting, 29 × 16 mm EPS foam float, wires output, bottom level detection	P8
		DMB	Reed switch contact, M8 thread, 25 × 15 mm polypropylene hollow float, waterproof connection box	P9
		DMC	Reed switch contact, M8 thread, 25 × 15 mm polypropylene hollow float, waterproof connection box, built-in 16A 230V power relay	P10



Horizontal level switches using reed switch				P1-P8
Section 5		DT1	Reed switch contact, 1/2" NPT male thread, PBT body and float, wires output	P3
		DT2	Reed switch contact, 1/2" NPT male thread, PBT body and float, 6.3 x 0.8mm tab terminals	P4
		DT3	Reed switch contact, 1/2" BSPP male thread, PBT body and float, wires output	P5
		DT4	Reed switch contact, 1/2" BSPP male thread, PBT body and float, 6.3 x 0.8mm tab terminals	P6

Because of permanent improvement of our products, drawings, descriptions, features used on these data sheets are for guidance only and can be modified without prior advice



Because of permanent improvement of our products, drawings, descriptions, features used on these data sheets are for guidance only and can be modified without prior advice

Historical and technical foreword on level switches

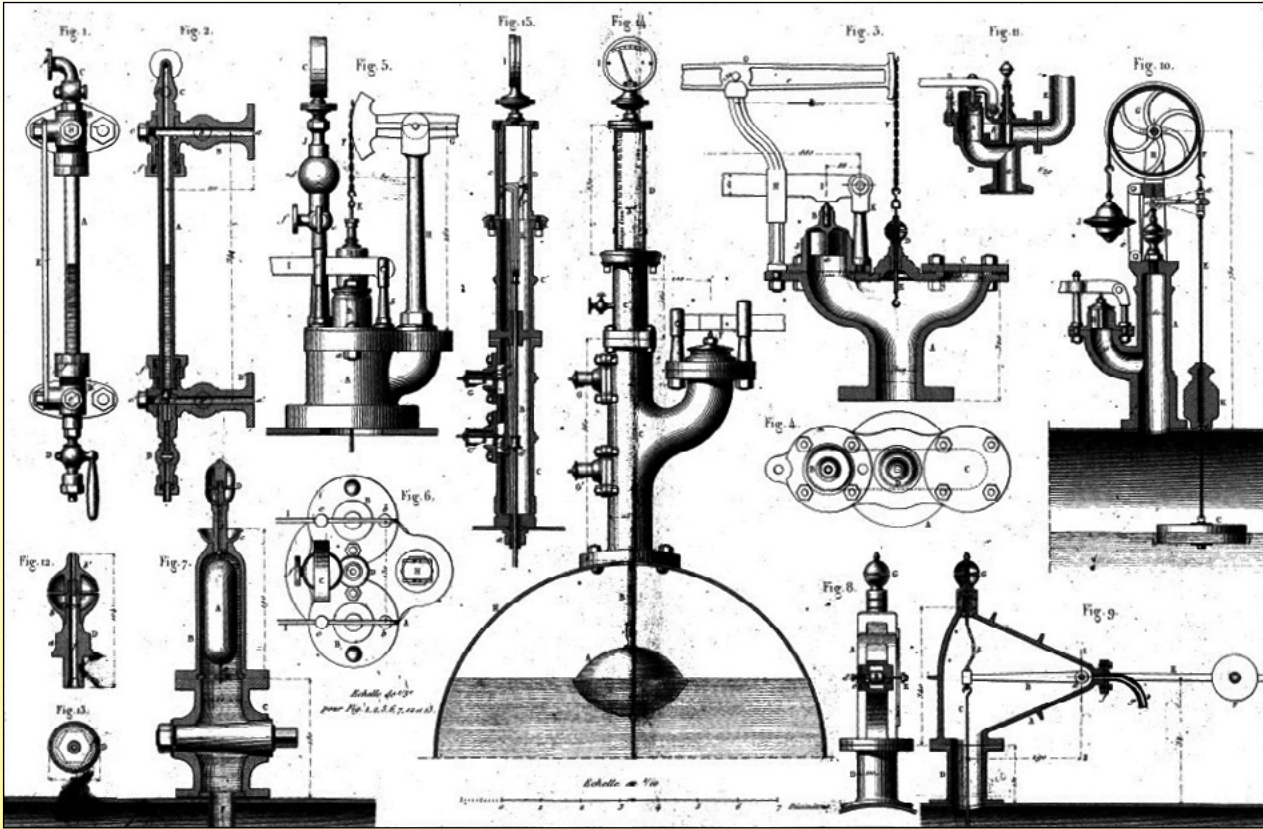


Because of permanent improvement of our products, drawings, descriptions, features used on these data sheets are for guidance only and can be modified without prior advice

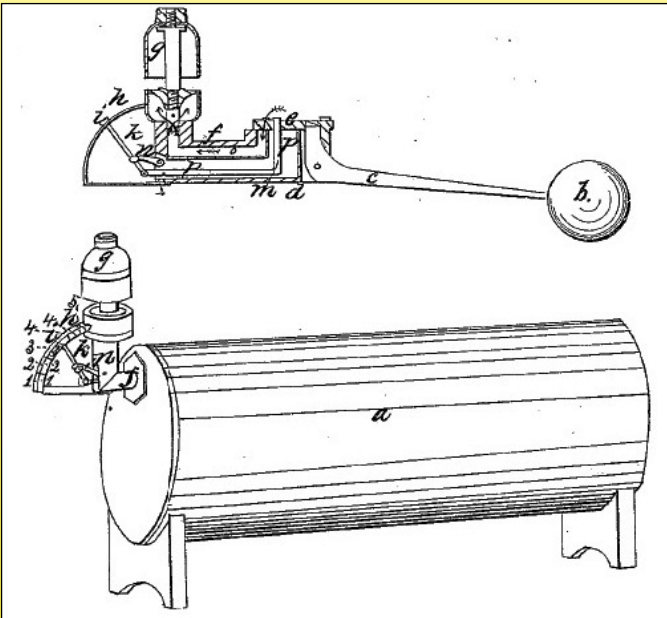


Float level switches technical and historical introduction

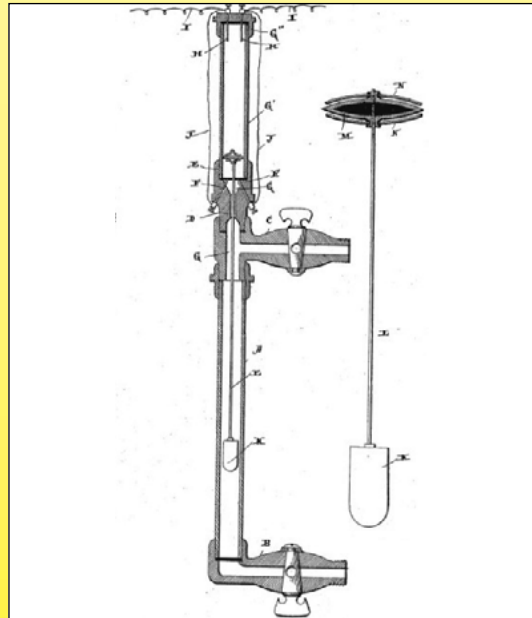
If the level measurement, especially for meteorological purposes seems to date back to the 4th or 5th century BC in India, the development of steam boilers for locomotives and low pressure steam boilers for central heating in the first quarter of the 19th century, has quickly revealed the indispensable requirement to control the water level.



Range of level detection devices for boilers and steam engines, 1851



Joseph Dilks, US patent 7808, December 1850, float level indicator with steam alarm whistle.



Mac Dermott, US patent 487634, December 1892, vertical float level device with minimum and maximum electrical contact.

Quickly some of these devices were designed to actuate an electrical contact.

The Reed switch invention in 1936 and its mass production in the 1960s enabled the miniaturization of level switches, which are now used in many electrical appliances applications.

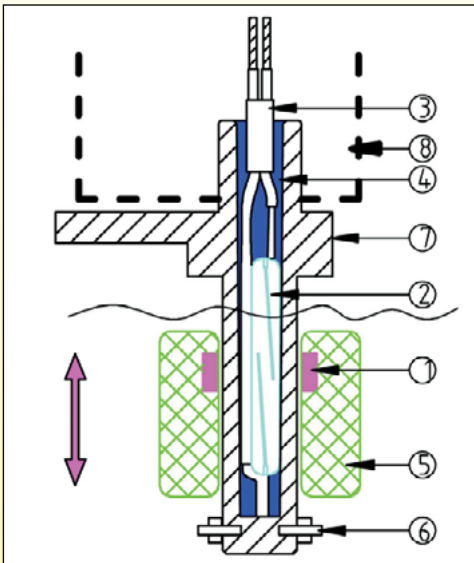
Ultimheat level switches are constructed according to the technology of floats actuating an electrical contact. If the level changes, the movement of the float, which follows the variation of the position of the water surface, actuates an electrical contact. This contact is usually provided by a reed switch (Also known by the acronym ILS in French), but can also be a micro-switch.

Because of permanent improvement of our products, drawings, descriptions, features used on these data sheets are for guidance only and can be modified without prior advice

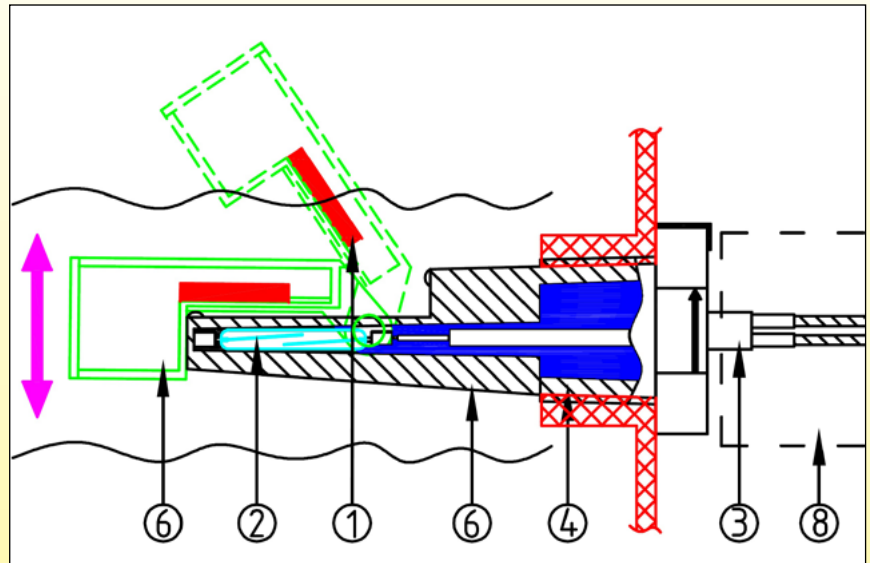


A: Operation Operation diagram

A1: Vertical type



A2: Horizontal type

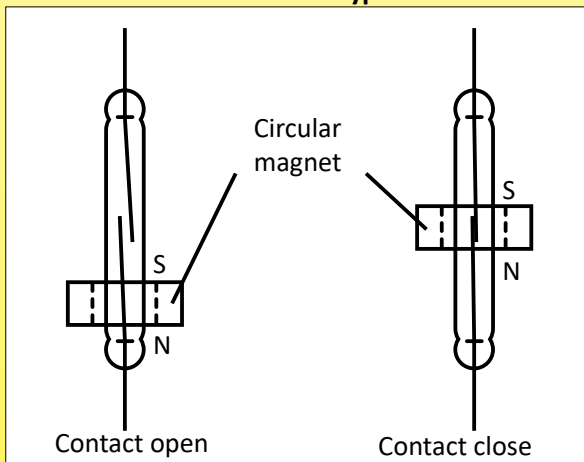


A float level switch is made of 8 main components

- | | |
|--|--|
| 1: Magnet attached to the float (In reed switches devices) | 5: Float |
| 2: Electrical contact (reed switch or micro-switch) | 6: Float displacement limits |
| 3: Electrical connection | 7: Level switch body, with its mounting system |
| 4: Resin filling (for devices using a reed switch) | 8: Protection box (optional) |

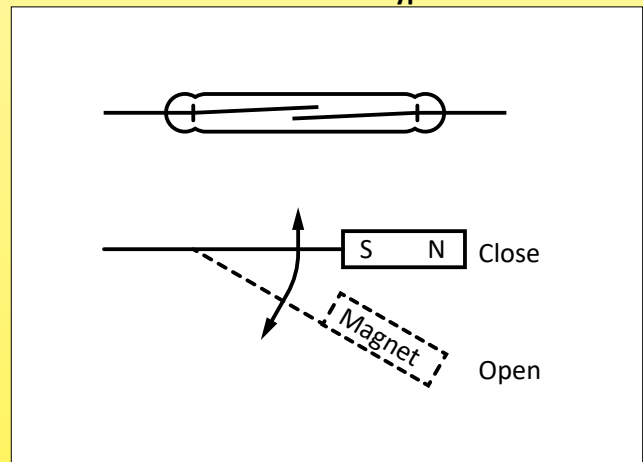
Magnet displacement and reed switch operation

A1: Vertical type



In upright models, when the magnet, usually circular and surrounds the reed switch, is below or above the center of the reed switch, the contacts are opened. When the magnet is located at the center of the bulb, the contact is closed.

A2: Horizontal type



In horizontal models, a flat magnet (rectangular parallelepiped or disc) moves closer to the reed switch when the float turns on its axis when the magnet is close enough to the reed switch, the contact of the latter 's open

B: Description of the different parts

1: The magnet located inside the float (in devices using reed switch)

Selecting a magnet for a level switch application must take into account the characteristics of the liquid in which it will be immersed, of the temperature at which it will be subjected, of its corrosion resistance, of the magnetic field required to operate the switch and its distance to the reed switches. Sintered magnets are shock and vibration sensitive, "bonded" magnets have a low temperature resistance due to the resins used to agglomerate, and Neodymium-Iron-Boron magnets contain 60-75% iron (amount is dependent on grade) and are therefore prone to corrosion. Their price is extremely variable depending on the materials and manufacturing process, and therefore it is the sum of all these parameters that will decide if a type of magnet will be used rather than another in a specific application.



Float level switches technical and historical introduction

Comparison of the characteristics of the main magnets types (Average values)

Material	Name	Grade	Br (KGs)	Hc (KOe)	Hci (KOe)	BH _{max} (MGOe)	T _{max} (°C) *
NdFeB**	Neodymium-Iron-Boron	39H	12.8	12.3	21	40	80
NdFeB**	Neodymium-Iron-Boron	B10N	6.8	5.8	10.3	10	80
SmCo**	Samarium-Cobalt	SmCo26	10.5	9.2	10	26	300
Alnico	Aluminum-Nickel-Cobalt	Alnico 5	12.5	0.64	0.64	5.5	540
Ceramic (Barium/ Strontium)	Ferrite	Y8T-Br	2.2	1.8	3	1	280
Ceramic (Barium/ Strontium)	Ferrite	Y30-Br	3.8	2.4	2.5	3.5	280
Ceramic (Barium/ Strontium)	Ferrite	Y30H-1	3.9	3.2	3.2	3.8	280
Magnetic rubber***	Ferrite flexible magnet	PRM-8	1.6	1.4	1.4	0.6	100

* T_{max} is the maximum practical temperature of use
 ** Rare earth magnets
 *** Flexible (Rubber) magnets are made by mixing ferrite or Neodymium magnet powders with synthetic or natural rubber binders. Values given here are for ferrite

Remanence (Br) is the flux density of a magnetic material in closed circuit, which remains after the removal of the magnetising field. Remanence is measured in Gauss, Tesla or mT. (1 Tesla = 10,000 Gauss)

Flux Density (B) is a measure of magnetic field strength of the magnet in an 'open circuit' condition. The actual flux density measured on the pole face of a magnet will depend on the material, the grade, the relationship of its pole area to its magnetic length and any additional pole pieces that create a further magnetic circuit. Flux density is measured in Gauss, Tesla or mT.

Coercive Force (Hc) is the strength of the demagnetizing field needed to reduce the flux density of the magnet to zero. Coercive force is measured in Oersted or kA/m.

Maximum Energy Product (BH_{max}) indicates the peak energy that a magnet can deliver when operating at a working point on the demagnetization curve. Maximum Energy Product is measured in Mega-Gauss-Oersted or kJm³.

2: The electrical contact system reed switch or a micro-switch.

A certain force is required to actuate the electrical contact device. It can range from a few tenths of grams for systems with reed contacts with a power rating of 10 to 20VA (0.5Amp), to several hundred grams for snap action micro-switches with a 16 or 20Amp electrical rating

In general, the force required to operate an electrical contact increases with its electrical rating, and the power available on the detector depends on the float volume.

Most level switches in this catalog use reed switches because they are used for detection level in low voltage and low current electronic circuits. This makes possible to design compact devices.

Reed switches

Reed switches are small glass bulbs with a flexible reed strip contact with a breaking capacity of 10 to 50Va, which has the particularity to close in the presence of a magnetic field. These glass bulbs are sealed and filled with argon or under vacuum, therefore they are protected from oxidation.

Reed switches applications in level switches

Suitable	Not suitable
Computer circuits	Small electrical motors, including small DC motors
Programmable logic controllers (PLC's) circuits	Power contactor coils circuits (Unless protected by an arc suppression circuit)
Small relays	Solenoid valves (Unless protected by an arc suppression circuit)
Solid state relays (SSR) trigger circuits	Incandescent lamps

Main models of reed switches used on float level switches maximum switching rating (resistive).

(Values given for a standard reed switch with magnetic sensivity of 25 Ampere Turns)

Dimensions	Mini: L=14.5mm × 2.2mm dia.		Standard: L=20.5mm × 2.7 mm max dia.		
	10VA (W) Low voltage	10VA (W) High voltage	10VA (W) Low voltage	40VA (W) High voltage	70W (W) High voltage
Max switching voltage AC	110	400	110	250	250
Max switching voltage DC	150	400	180	200	200
Max Amp 0-24V	0.40	0.5	0.40	1	1
Max Amp 30V	0.33	0.33	0.33	1	1
Max Amp 50V	0.20	0.2	0.20	0.8	1
Max Amp 80V	0.13	0.15	0.13	0.5	0.9
Max Amp 100V	0.10	0.1	0.10	0.4	0.7
Max Amp 110V	0.09	0.09	0.09	0.36	0.64
Max Amp 150V	0.07*	0.07	0.07*	0.27	0.47
Max Amp 180V	N/A	0.06	0.06*	0.22	0.39
Max Amp 230V	N/A	0.04	N/A	0.17	0.30

* DC loads only

Because of permanent improvement of our products, drawings, descriptions, features used on these data sheets are for guidance only and can be modified without prior advice

Float level switches technical and historical introduction



Because of permanent improvement of our products, drawings, descriptions, features used on these data sheets are for guidance only and can be modified without prior advice

Reed switches contact protection

Switching no load or loads where the voltage is less than 5 Volts @ 10 mA or less, the contacts undergo little or no wear and life times in excess of billions of operations are expected. In the 10 Volt range, higher contact wear will take place. Switching 10 Volts @ 10 mA, life times of 50 million to 200 million operations can be expected.

When switching inductive loads such as relays, solenoids and transformers, reed switch contacts require protection in order to insure long, dependable life. When current is interrupted, the inductance or electrical inertia of the load generates a large high frequency voltage, which appears across the switch contacts. If the voltage is large enough, it can break down the medium in the gap between them, making a conductive path. This phenomenon is called arcing. Arcing can cause the contacts to burn, weld together or stick. The purpose of protection circuits is to prevent arcing, by shorting this voltage through an alternate path.

DC load contact protection circuit with diode	AC load contact protection circuit with R/C circuit
<p>A 1N4004 diode is connected cathode-to-positive. The diode does not conduct when the load is energized, but conducts and shorts out the peak transient generated voltage when the switch opens. A resistor can be added in serial with the diode.</p>	<p>A resistor (R) and capacitor (C) are connected in parallel with the switch. The capacitor has high impedance at 50/ 60 hertz, and is essentially a short circuit to high frequencies of generated voltages. Capacitor value: $C = I^2/10$ Resistor value (E= power supply voltage) : $R = E / (10.I^{(1+50/E)})$</p>
DC load protection contact with Back to Back Zener diode	AC load protection contact with Varistor
<p>The peak transient voltage that occurs when the switch opens is decreased to a value equal to the back to back Zener diode voltage. The Zener diode should be sized for a voltage somewhat higher than the circuit source voltage</p>	<p>The varistor resistance decrease sharply when voltage reaches its trigger value, and shorts out the peak transient generated voltage when the switch opens. Varistor should be sized for a voltage somewhat higher than the circuit source voltage</p>

Snap action switches (Micro-switches)

On snap action switches, contact opening speed is around 1m per second. The contacts spacing reach the distance to extinguish the arcing in less than 1/1000 sec. Therefore there is no radio interference, and the contact does not deteriorate. Mechanically, this type of contact, also called "energy storing contact" is much more complicated, expensive, and does not allow such a great control than reed switches. The snap action microswitch is particularly suitable for devices operating at 240 or 400 V and when high electrical rating is required.

Microswitches uses in level switches

Disadvantages	Advantages
Higher price than reed switch	High electrical rating, up to 30A 110VAC to 230VAC
High operating force oblige to use large volume floats	SPNC, SPNO or change over contacts
Large differential travel on the switch, providing important distance in high and low switching levels	Snap action contacts do not generate EMC

Micro-switch contact material and contact plating in level switches applications

The contact of a micro-switch wears by micro vaporization at each open and close cycle. This wear is proportional to the strength and duration of the electric arc.

The most common contact material is pure or alloyed silver. Its thermal conductivity quickly evacuates the temperature peak occurring during these cycles.

Its very good electrical conductivity provides very low contact resistance, usually less than 3 milli-ohms.

However it oxidizes and is gradually covered with a thin layer of silver oxide, which is not electrically conductive.

This layer is easily vaporized when the switch is used in common household voltages (240V, 300V). However, when used in low voltage (less than 12V) and very low currents (a few milli-amps), and less than 800mW, the contact opening arc is no longer sufficient to vaporize the silver oxide layer. The solution is to plate the contact with a thin layer of gold (said gold flash) 3 to 5 microns thick, to ensure its protection, especially under conditions of high humidity to which are generally subject level switches.



Float level switches technical and historical introduction

Comparison of contact materials and plating

Silver and silver alloys	Gold plated silver
High electrical rating, mandatory use for electrical rating higher than 1A 250VAC	Cannot be used on voltages lower than 0.1 millivolt, because the contact resistance is too high.
Oxidize and the contact resistance increases with time if they are used to cut electrical rating less than 20V and 100 mA	The use on voltages higher than 30V and/ or with currents above 100 mA causes vaporization of the gold flash protection. Then contact behaves like a standard silver contact
Cannot be used in oxidizing atmosphere	If the load is less than 30 mV and 10 mA, there is no change in the contact resistance and electrical life becomes very important (except atmospheric contamination by hydrocarbon)

3: Electrical wiring

For reed switches systems, the most common electrical connection is by wires or cable. Given the low electrical rating of reed switches, conductor cross section is generally less than or equal to 0.5 mm². If there is no thermal stress or environmental conditions, wires and cables are PVC insulated. Silicone insulation, FEP and Teflon are not recommended because they do not provide hermetic sealing with resin filling and may let in water or moisture inside the product.

Tabs or connector outputs are recommended for large quantities.

4: Resin filling (For reed switch types)

The resin filling provides two functions

- Mechanically securing the reed in the body, and provide its resistance to tearing (Standards impose a tearing resistance equal to or greater than 10N).
- Main electrical insulation of the electrical contact and wiring. This requires a UL94-VO resin. In some customer applications the insulation class I is insufficient, and the contact system must receive an additional insulation to comply to the requirements of insulation class II.

5: Float

The main requirements of floats are to have a lower density than the liquid in which they must float, to withstand the pressure and temperature of the medium in which they are located, and remain sealed. The vertical float level switches may receive several floats on the same stem, each float actuating an independent switch.

There are three float manufacturing technologies:

- Hollow metal floats
- Hollow plastic floats,
- Plastic foam floats.

All three models can be interchangeable on the same axis.

In some vertical models using a reed switch, a wise magnet position in the float can allow to reverse the contact open and close positions by simple reverse of the float.

On horizontal reed switch model, it is the 180° rotation of the entire device which reverses the contact operation

Advantages and disadvantages of the 3 types of floats

Buoyancy:

In the hollow floats, the wall thickness will be optimized to give the best buoyancy to withstand the maximum pressure and temperature at which it can be subjected during normal operation.

The maximum pressure limit can vary from 0.05 MPa to 1 MPa depending on the model and thicknesses.

Foam floats need to carefully monitor the foam density to achieve constant and reliable buoyancy. The foams are closed-cell type, with a slight skin to prevent the ingress of liquid between foam bubbles.

Temperature resistance:

Compared to metal floats, floats plastic have the advantage of better buoyancy and a lower price, but the disadvantage of a lower pressure and temperature resistance. The chemical resistance of plastics varies greatly depending on the materials used.

Temperature limits of plastic floats are generally below 85°C (Permanent temperature). It is possible under certain conditions to use materials that offer higher heat resistance (up to 125°C or more).

Chemical resistance:

The material used must be compatible with the nature of the fluid or liquid with which the float is in contact. In addition, it should not harden or crack over time. Gas or liquid in contact with the float may have a corrosive or destructive short, medium or long term on it, eg ozone, chlorine and its compounds, bromine and its compounds, solvents, hydrocarbons etc.

Contact with drinking water:

In some applications, when the float is in contact with drinking water, health standards are added, which regulate the

Because of permanent improvement of our products, drawings, descriptions, features used on these data sheets are for guidance only and can be modified without prior advice



Float level switches technical and historical introduction

chemical composition. The highest standards known, that are used as a normative reference in many countries are those issued by the FDA (Food and Drug Administration, USA) and the WRC (water research council, GB). Stainless steel floats are most appropriate to meet the requirements for drinking water. In the case of plastic floats, these standards provide particularly maximum permissible surface in contact with water and the maximum temperature at which the plastic may be exposed without harmful compounds are released into the water.

Contact with strongly calcareous waters:

When the floats are used in waters heavily loaded with calcium salts, it may deposit on the float and the body of the level sensor. This deposit has two consequences: a heavier float, which can cause it to sink and reduced dimensional gaps between the float and the body, that may result into a mechanical lock. There is no definitive solution to address these problems. It is possible to delay the lock by using bigger floats (which therefore produce a larger force), and increase the mechanical clearance between the float and the body. Silicone oil based non sticking products can also be sprayed lightly on the parts, but their compatibility with the materials of the float and the body and operating conditions must be carefully checked.

Contact with viscous fluids:

We do not recommend using level switches with moving parts (so of course all systems float) on fluid with a dynamic viscosity of less than 0.5×10^{-4} Pa.s or above 10^{-2} Pa.s

Usual liquids dynamic viscosity (Pa.s)

Gasoline	Methanol	Water	Sea water	Ethanol	Kerozene	Blood (37°C)	Ethylene glycol	Sulfuric acid	Motor oil SAE 10 (20°C)	Olive oil	Motor oil SAE 40 (20°C)	Honey	Molten chocolate
2.92×10^{-4}	5.98×10^{-4}	1×10^{-3}	1.07×10^{-3}	1.2×10^{-3}	1.92×10^{-3}	3×10^{-3}	2.14×10^{-2}	2.42×10^{-2}	6.5×10^{-2}	8.1×10^{-2}	0.32	2~10	45~130

Magnetic particles:

Level switches are based on a magnet housed inside the float, so liquids containing magnetic particles such as iron filings must be avoided, because these particles will accumulate on the magnet.

Waves and stirring at the liquid surface:

If the surface of the liquid is agitated by waves, the float will move quickly by following the oscillations of the surface and thus operate the switch to the frequency of these oscillations. There are two solutions to mitigate these shortcomings:

- Install a timer relay on the contact output circuit
- Install an anti-waves shell around the float. This shell is a small box with small holes that will damp the oscillations. The smaller are the holes, the more important is the gap between the liquid level inside and outside, so one's must find the right balance between removing waves and rapid control level.

6: Float up and down mechanical stops

The mechanical displacement of the float must be limited to remain within the limits of the magnet position detection by the reed switch. There are on the market float level sensors with clips allowing to select two possible relative positions of the float, a position giving a normally closed contact and one normally open contact. Ultimheat floats are designed for these two positions are possible by simply inverting the float.

7: Mechanism body and mounting system

Choice of material:

The body of the mechanism provides several functions:
- *Device protection against electric shock, water ingress, pressure value, and chemicals.*

This body must meet the same requirements as the float, but are added special features due to its electrical protection function. Plastics for the body are always UL94-VO rated

- *The float guidance:* guiding the float requires the use of plastics that do not wear out easily, with a low friction coefficient
- *The level switch mounting:*

This mounting can be secured by NPT or BSPT (Tapered) threads, or BSPP cylindrical threads or metric threads. Tapered threads require sealing on the threads, and the cylindrical threads require sealing by a flat gasket.

In general the vertical flow switches are inserted from the inside of the tank, and secured with an outside nut and gasket, and horizontal flow switches are mounted from the outside of the tank on a female fitting.

In large quantities applications of vertical level switches, preference is given to a side bracket, which is better suited for screwdriver assembly.

Depending on the application level sensors will be mounted at the bottom, side or top of tanks. Mounting solution design can be adapted to these requirements.

- *Cover:* an optional cover can be attached either by a central tapping or by screws and gasket on the body of the level switch.

Because of permanent improvement of our products, drawings, descriptions, features used on these data sheets are for guidance only and can be modified without prior advice



8: Protection housing

The protection housing can have several functions:

- Ingress protection against attacks from the outside environment (rain, dust, shock)
- Protection against the conditions in which the product will be installed in its application.

In most cases, level switches will be integrated by an OEM into a machine or equipment. Then it is this machine or equipment that will ensure protection against water, dust, shock and other contaminants.

- *Protection against usual external environment:* These are usually plastic housings providing an IPxx (Protection against the penetration of water and dust, EN 60529 degree of protection) and an IKxx (Protection against shock, EN 50102).

- *Protection against gas and dust explosive atmospheres:* Ultimheat level switches are not designed for use in these environments and therefore do not meet the applicable standards in this field of application

C: Values and definitions

Level differential

The level differential (also known as “differential” or “hysteresis”) is the difference between the position of the float where it actuates the electrical contact by a level variation, and the position it goes back to its original state when the level change is reversed. A general rule is that the level differential increases with the nominal electrical rating. A level switch with a small electrical rating will generally have a small level differential.

Vocabulary

Level switch definition: A level switch is a device which detects the exceeding of a predetermined value of the level of a liquid. The information is made in the form of an electrical contact opening or closing a circuit.

Synonyms and similar words:

Level sensor, level switch, level control.

Level switch selection parameters

Selecting a level switch must take in consideration:

- The temperature of the liquid
- The viscosity of the liquid
- Pressure at which it shall be subjected,
- The type of liquid,
- The type of contact (NO, NC, SPDT)
- Electrical rating (voltage, current)
- The environment (protection against water, dust, shock)
- The position on the tank



Because of permanent improvement of our products, drawings, descriptions, features used on these data sheets are for guidance only and can be modified without prior advice



Because of permanent improvement of our products, drawings, descriptions, features used on these data sheets are for guidance only and can be modified without prior advice

List of references



Because of permanent improvement of our products, drawings, descriptions, features used on these data sheets are for guidance only and can be modified without prior advice

List of references



Because of permanent improvement of our products, drawings, descriptions, features used on these data sheets are for guidance only and can be modified without prior advice

List of references	List of references	List of references	List of references
DM10F082825F1050	DM303083320FB050	DM5438H3320SA050	DT14P207618EA050
DM10F082825F5050	DM343083320F1050	DM5438H3320SB050	DT14P207618EB050
DM10F082825FA050	DM343083320F5050	DM6038H3329S1050	DT20P207618E0021
DM10F082825FB050	DM343083320FA050	DM6038H3329S5050	DT24P207618E0021
DM14F082825F1050	DM343083320FB050	DM6038H3329SA050	DT30P207618G1050
DM14F082825F5050	DM403083329F1050	DM6038H3329SB050	DT30P207618G5050
DM14F082825FA050	DM403083329F5050	DM6438H3329S1050	DT30P207618GA050
DM14F082825FB050	DM403083329FA050	DM6438H3329S5050	DT30P207618GB050
DM20F082829F1050	DM403083329FB050	DM6438H3329SA050	DT34P207618G1050
DM20F082829F5050	DM443083329F1050	DM6438H3329SB050	DT34P207618G5050
DM20F082829FA050	DM443083329F5050	DMB6F082825FA100	DT34P207618GA050
DM20F082829FB050	DM443083329FA050	DMB8F082825FA100	DT34P207618GB050
DM24F082829F1050	DM443083329FB050	DMC8F082825FA2R0	DT40P207618G0021
DM24F082829F5050	DM5038H3320S1050	DT10P207618E1050	DT44P207618G0021
DM24F082829FA050	DM5038H3320S5050	DT10P207618E5050	
DM24F082829FB050	DM5038H3320SA050	DT10P207618EA050	
DM303083320F1050	DM5038H3320SB050	DT10P207618EB050	
DM303083320F5050	DM5438H3320S1050	DT14P207618E1050	
DM303083320FA050	DM5438H3320S5050	DT14P207618E5050	



Because of permanent improvement of our products, drawings, descriptions, features used on these data sheets are for guidance only and can be modified without prior advice



Vertical level switches using reed switch



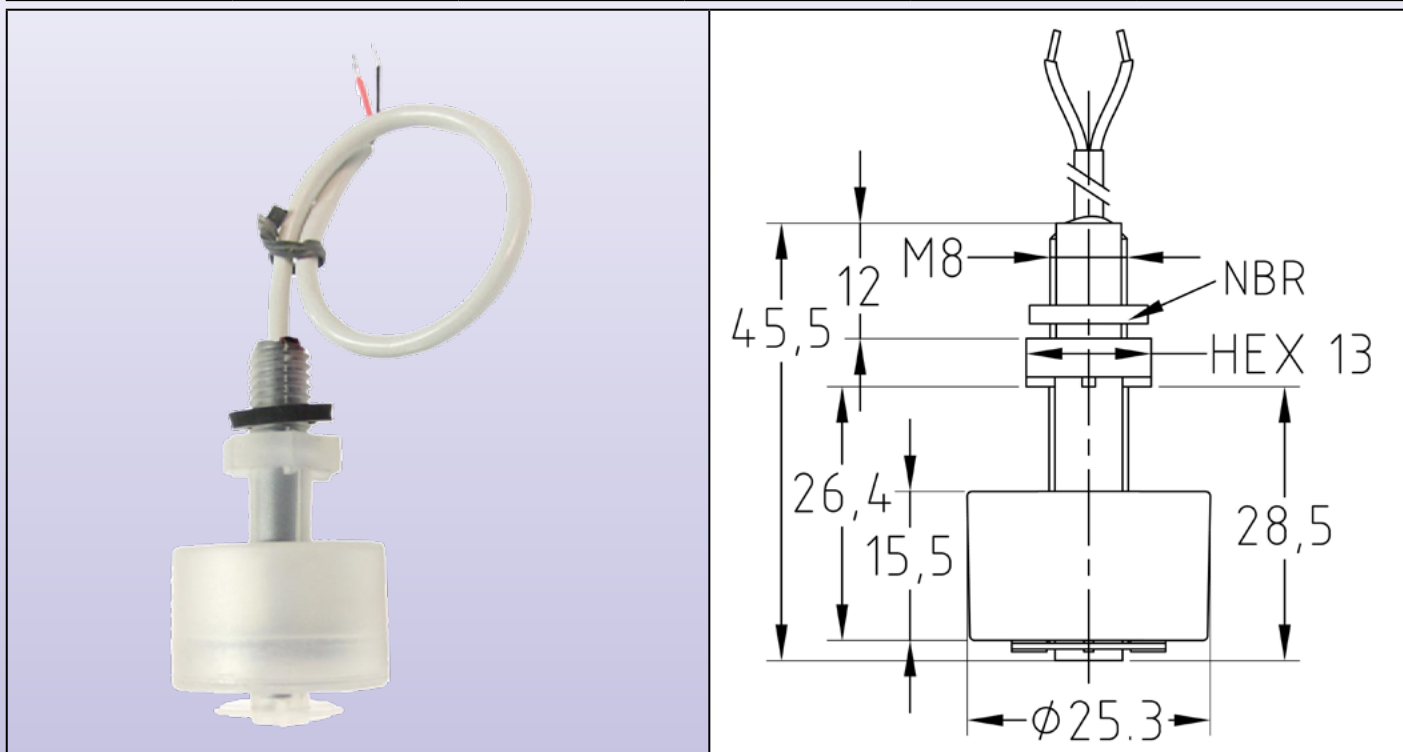
Because of permanent improvement of our products, drawings, descriptions, features used on these data sheets are for guidance only and can be modified without prior advice

Reed switch contact, stem with M8 thread, cable output, dia. 25 × 15mm polypropylene float



Because of permanent improvement of our products, drawings, descriptions, features used on these data sheets are for guidance only and can be modified without prior advice

Float material	Mounting	Contact resistance	Ambient temperature	Maximum pressure	Type
Polypropylene	Vertical	150 mOhms maxi	-20 to +80°C	1 bar (15 PSI)	DM1



Use: low voltage circuits

Main applications: steam generators, coffee machines, vending machines, air conditioning pumps, dehumidifiers. Most application in water level control.

Stem material: polypropylene.

Float material: polypropylene.

Mounting: Vertical, throw wall, with M8 nut and flat NBR gasket.

Contact configuration: normally closed when float is down on the stem. It opens when float goes up to the wiring side. Upsetting the float changes the contact configuration into normally open.

Electrical rating:

Low voltage type: maximum power 10 W (VA), max 0.5Amp, max voltage 110VAC.

230VAC type: max power 40 W (VA), max 1Amp. Values for resistive circuit. For inductive or capacitive loads, a contact protection circuit must be used.

Contact resistance: 150mOhms maxi (wires not included).

Wires: AWG24 cable, UL style 2464, PVC insulated, length 100, 500, 1000 or 2000mm.

Liquid limits: to be used with liquids chemically compatible with polypropylene, dynamic viscosity higher 0.5×10^{-4} Pa.s and lower than 10^{-2} Pa.s, specific gravity higher than 0.9, without magnetic particles.

Ambient temperature: -20+80°C.

Maximum pressure: 1 bar (15 PSI).

Options: Slosh shield for use in turbulence applications, other cable length, electrical rating 70W, 1A, 250VAC.

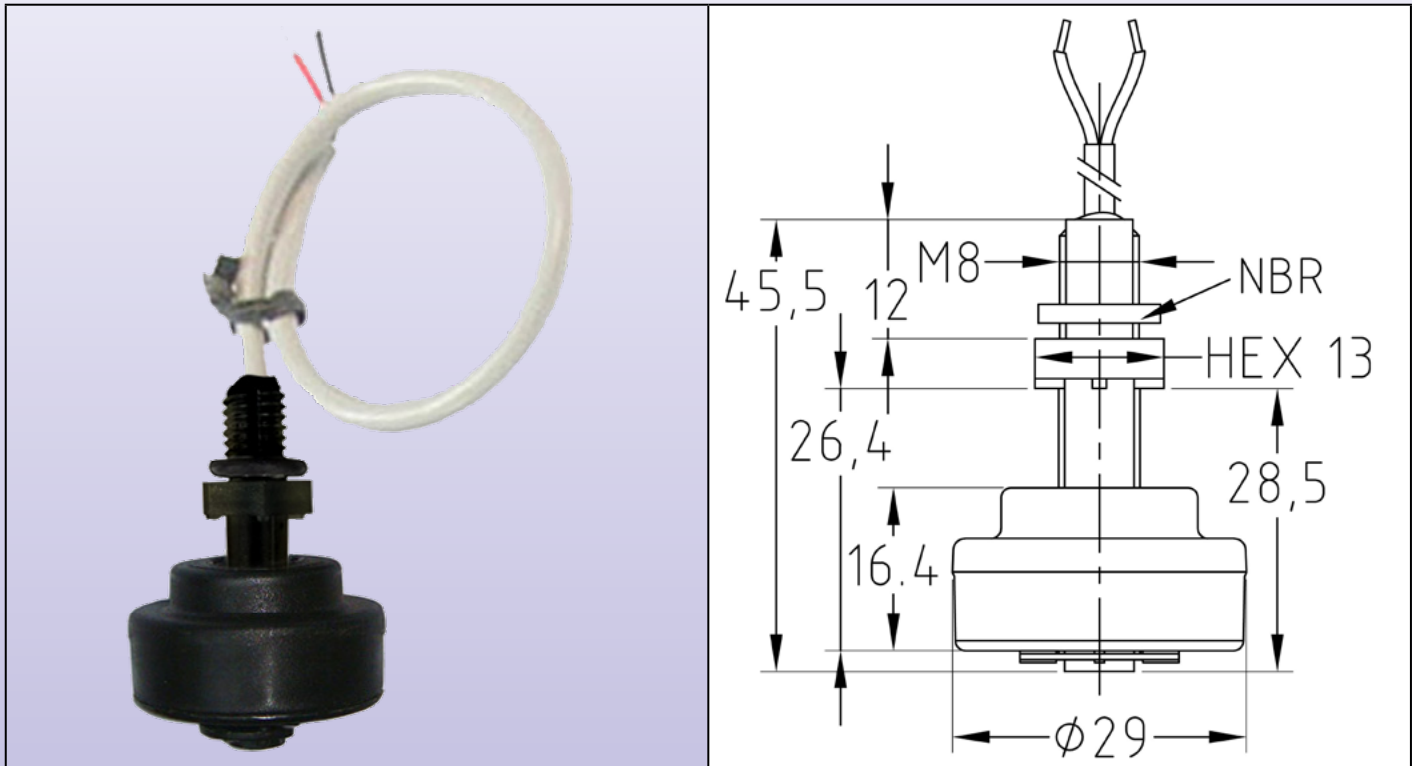
References:

Electrical Rating	Cable 100mm	Cable 500mm	Cable 1000mm	Cable 2000mm
10VA (max 110V AC)	DM10F082825F1050	DM10F082825F5050	DM10F082825FA050	DM10F082825FB050
40VA (max 230V AC)	DM14F082825F1050	DM14F082825F5050	DM14F082825FA050	DM14F082825FB050

Vertical mounting, reed switch contact, polypropylene stem with M8 thread, dia. 29 × 16.4mm hollow polypropylene float, cable output, for near bottom level detection



Float material	Mounting	Contact resistance	Ambient temperature	Maximum pressure	Type
Hollow polypropylene	Vertical	150 mOhms maxi	-20 to 80°C	1 bar (15 PSI)	DM2



Use: low voltage circuits.

Main applications: steam generators, coffee machines, vending machines, air conditioning pumps, dehumidifiers. Large diameter float for low water level detection

Stem material: polypropylene

Float material: hollow polypropylene

Mounting: Vertical, throw wall, with M8 nut and flat NBR gasket

Contact configuration: normally closed when float is down on the stem. It opens when float goes up to the wiring side. Upsetting the float changes the contact configuration into normally open

Electrical rating:

Low voltage type: maximum power 10 W (VA), max 0.5Amp, max voltage 110VAC.

230VAC type: max power 40 W (VA), max 1Amp. Values for resistive circuit. For inductive or capacitive loads, a contact protection circuit must be used.

Contact resistance: 150mOhms maxi (wires not included)

Wires: AWG24 cable, UL style 2464, PVC insulated, length 100, 500, 1000 or 2000mm.

Liquid limits: to be used with liquids chemically compatible with polypropylene, dynamic viscosity higher than 0.5×10^{-4} Pa.s and lower than 10^{-2} Pa.s, specific gravity higher than 0.9, without magnetic particles.

Ambient temperature: -20+80°C

Maximum pressure: 1 bar (15 PSI)

Options: other cable length, electrical rating 70W, 1A, 250VAC.

References:

Electrical Rating	Cable 100mm	Cable 500mm	Cable 1000mm	Cable 2000mm
10VA (max 110VAC)	DM20F082829F1050	DM20F082829F5050	DM20F082829FA050	DM20F082829FB050
40VA (max 230VAC)	DM24F082829F1050	DM24F082829F5050	DM24F082829FA050	DM24F082829FB050

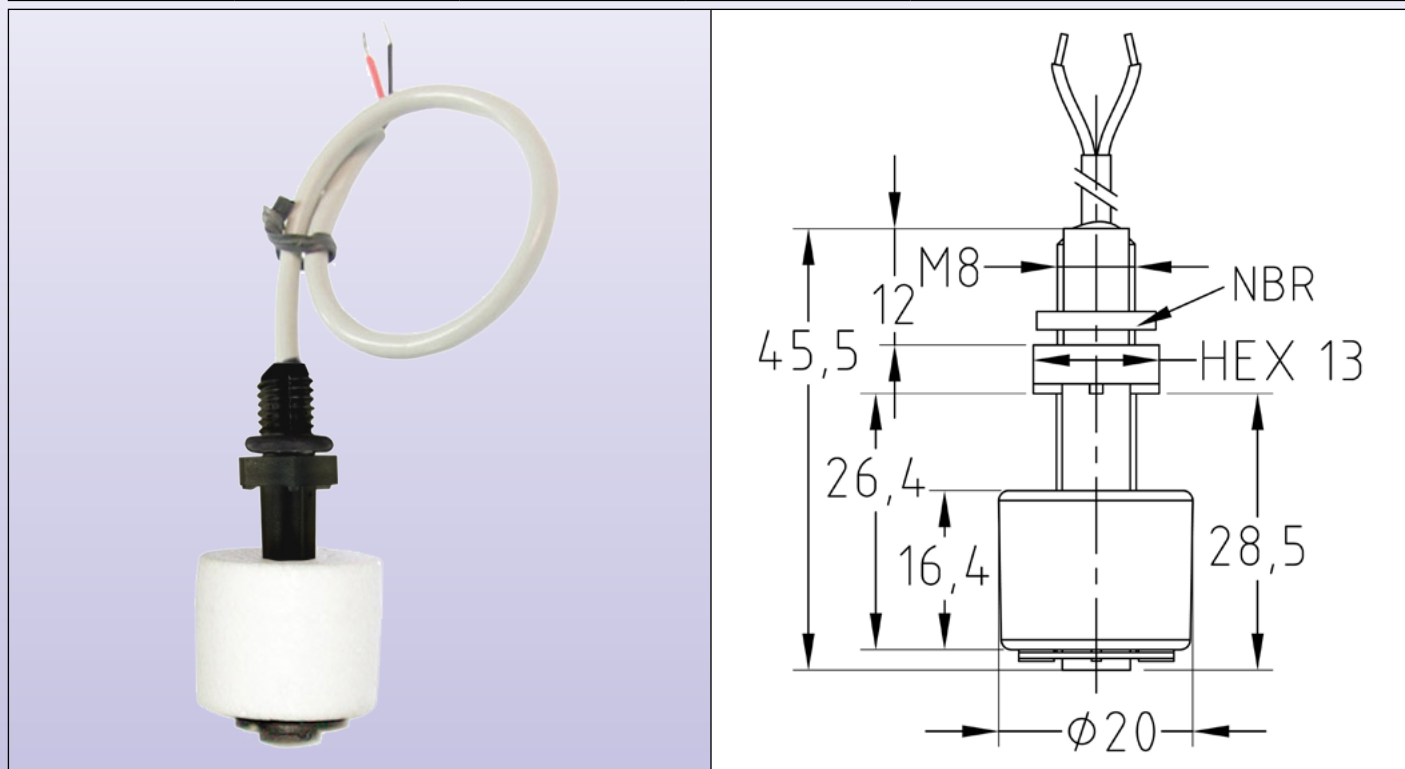
Because of permanent improvement of our products, drawings, descriptions, features used on these data sheets are for guidance only and can be modified without prior advice

Vertical mounting, reed switch contact, polypropylene stem with M8 thread, cable output dia. 20 × 16.4mm EPS foam float



Because of permanent improvement of our products, drawings, descriptions, features used on these data sheets are for guidance only and can be modified without prior advice

Float material	Mounting	Contact resistance	Ambient temperature	Maximum pressure	Type
EPS foam	Vertical	150 mOhms maxi	-20 +65°C	1 bar (15 PSI)	DM3



Use: low voltage circuits

Main applications: vending machines, air conditioning pumps, dehumidifiers. Small diameter float for reduced space applications. EPS foam float avoid float leaks, but reduces the maximum liquid temperature.

Stem material: polypropylene.

Float material: EPS foam with skin effect surface to avoid water absorption

Mounting: Vertical, throw wall, with M8 nut and flat NBR gasket.

Contact configuration: normally closed when float is down on the stem. It opens when float goes up to the wiring side. Upsetting the float changes the contact configuration into normally open.

Electrical rating:

Low voltage type: maximum power 10 W (VA), max 0.5Amp, max voltage 110VAC.

230VAC type: max power 40 W (VA), max 1Amp Values for resistive circuit. For inductive or capacitive loads, a contact protection circuit must be used.

Contact resistance: 150mOhms maxi (wires not included)

Wires: AWG24 cable, UL style 2464, PVC insulated, length 100, 500, 1000 or 2000mm.

Liquid limits: to be used with liquids chemically compatible with polypropylene and polystyrene, dynamic viscosity higher than 0.5×10^{-4} Pa.s and lower than 10^{-2} Pa.s, specific gravity higher than 0.9, without magnetic particles.

Ambient temperature: -20+65°C.

Maximum pressure: 1 bar (15 PSI).

Options: Slosh shield for use in turbulence applications, other cable length, electrical rating 70W, 1A, 250VAC.

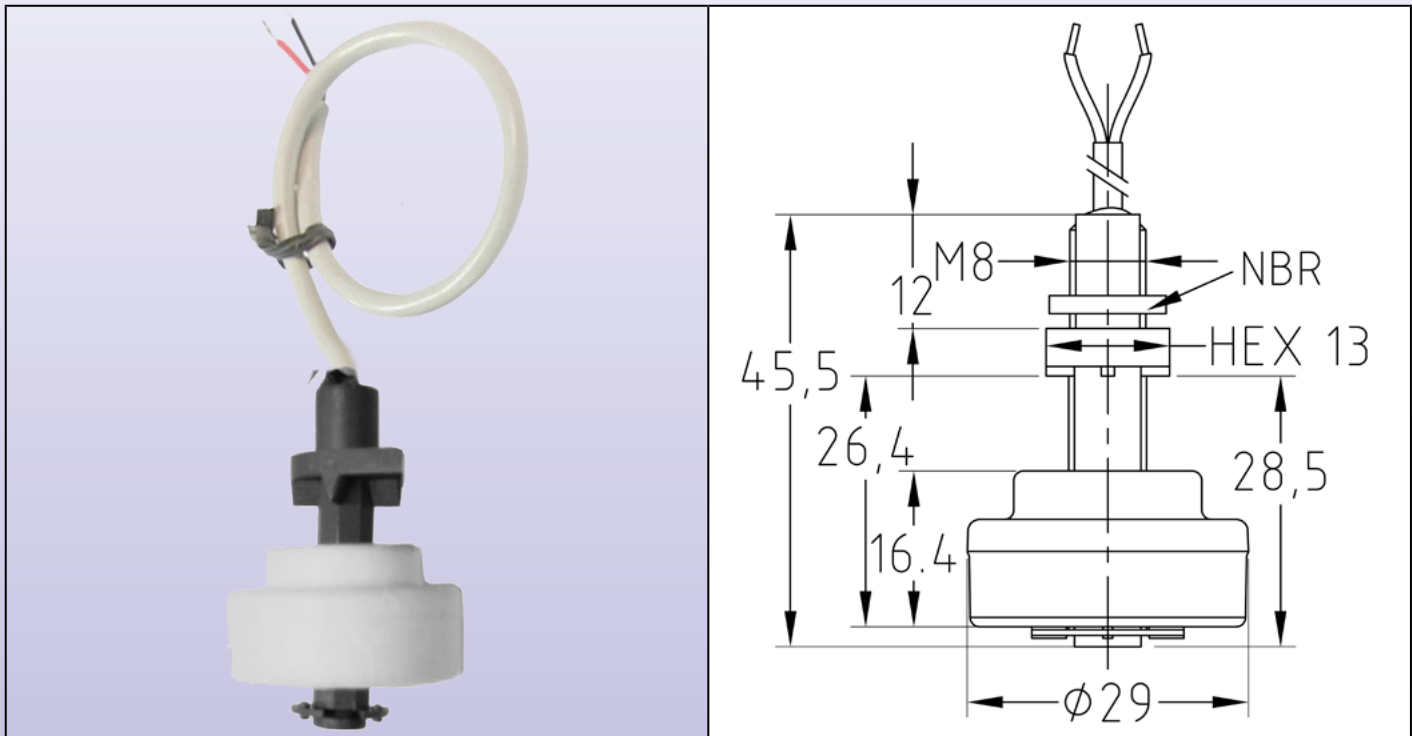
References:

Electrical Rating	Cable 100mm	Cable 500mm	Cable 1000mm	Cable 2000mm
10VA (max 110VAC)	DM303083320F1050	DM303083320F5050	DM303083320FA050	DM303083320FB050
40VA (max 230VAC)	DM343083320F1050	DM343083320F5050	DM343083320FA050	DM343083320FB050

Vertical mounting, reed switch contact, polypropylene stem with M8 thread, dia. 29 × 16.4mm EPS foam float, cable output, for near bottom level detection



Float material	Mounting	Contact resistance	Ambient temperature	Maximum pressure	Type
EPS foam	Vertical	150 mOhms maxi	-20 +65°C	1 bar (15 PSI)	DM4



Use: low voltage circuits

Main applications: vending machines, air conditioning pumps, dehumidifiers. Small diameter float for reduced space applications. EPS foam float avoid float leaks, but reduces the maximum liquid temperature

Stem material: polypropylene

Float material: EPS foam with skin effect surface to avoid water absorption

Mounting: Vertical, throw wall, with M8 nut and flat NBR gasket

Contact configuration: normally closed when float is down on the stem. It opens when float goes up to the wiring side. Upsetting the float changes the contact configuration into normally open

Electrical rating:

Low voltage type: maximum power 10 W (VA), max 0.5Amp, max voltage 110VAC.

230VAC type: max power 40 W (VA), max 1Amp. Values for resistive circuit. For inductive or capacitive loads, a contact protection circuit must be used.

Contact resistance: 150 mOhms maxi (wires not included)

Wires: AWG24 cable, UL style 2464, PVC insulated, length 100, 500, 1000 or 2000mm

Liquid limits: to be used with liquids chemically compatible with polypropylene and polystyrene, specific gravity higher than 0.9, dynamic viscosity higher than 0.5×10^{-4} Pa.s and lower than 10^{-2} Pa.s, without magnetic particles.

Ambient temperature: -20+65°C

Maximum pressure: 1 bar (15 PSI)

Options: other cable length, electrical rating 70W, 1A, 250VAC.

References:

Electrical Rating	Cable 100mm	Cable 500mm	Cable 1000mm	Cable 2000mm
10VA (max 110VAC)	DM403083329F1050	DM403083329F5050	DM403083329FA050	DM403083329FB050
40VA (max 230VAC)	DM443083329F1050	DM443083329F5050	DM443083329FA050	DM443083329FB050

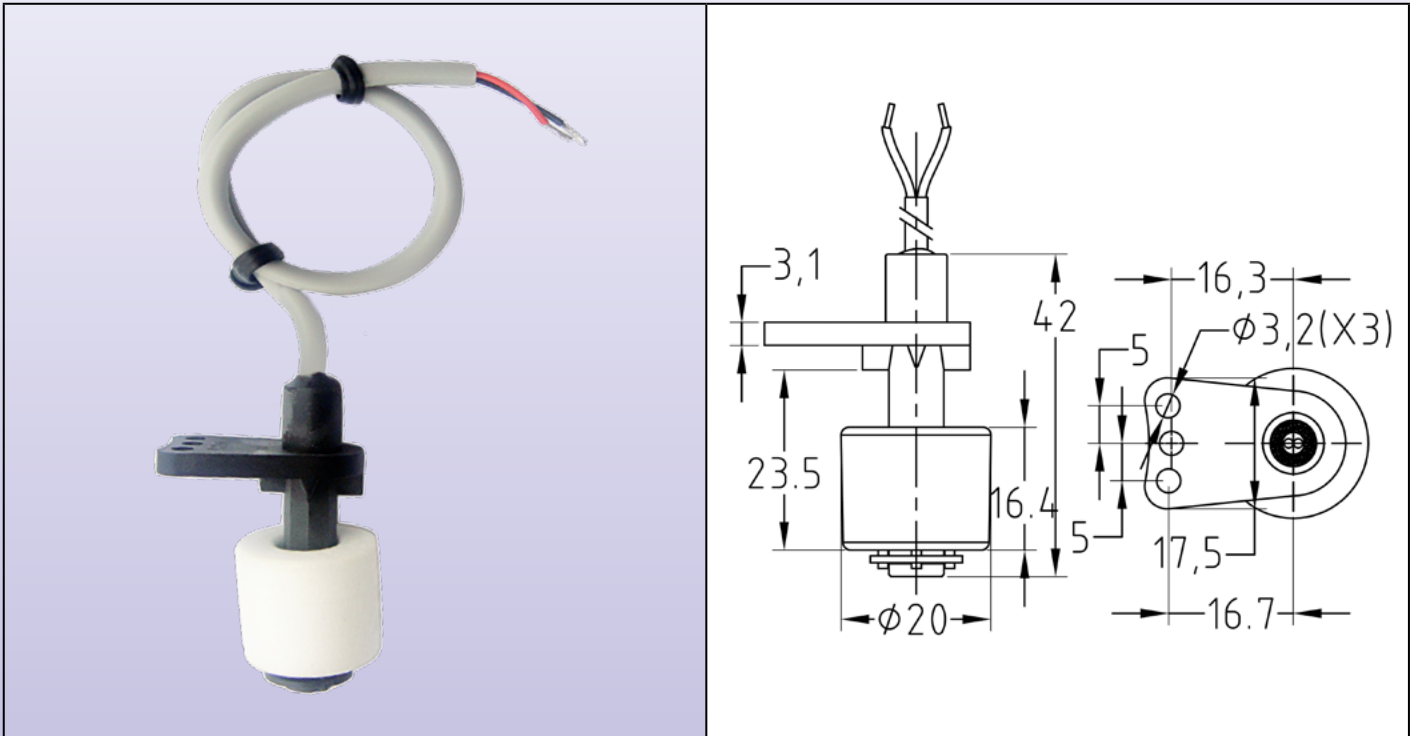
Because of permanent improvement of our products, drawings, descriptions, features used on these data sheets are for guidance only and can be modified without prior advice

Vertical mounting, reed switch contact, polypropylene stem, dia. 20 × 16.4mm EPS foam float, cable output, side mounting bracket



Because of permanent improvement of our products, drawings, descriptions, features used on these data sheets are for guidance only and can be modified without prior advice

Float material	Mounting	Contact resistance	Ambient temperature	Maximum pressure	Type
EPS foam	Vertical	150 mOhms maxi	-20 +65°C	1 bar (15 PSI)	DM5



Use: low voltage circuits.

Main applications: vending machines, air conditioning pumps, dehumidifiers. Small diameter float for reduced space applications. EPS foam float avoid float leaks, but reduces the maximum liquid temperature.

Stem material: polypropylene.

Float material: EPS foam with skin effect surface to avoid water absorption

Mounting: Vertical, side mounting bracket allows to screw it on the tank side, with 1 to 3 M3 screws.

Contact configuration: normally closed when float is down on the stem. It opens when float goes up to the wiring side. Upsetting the float changes the contact configuration into normally open.

Electrical rating:

Low voltage type: maximum power 10 W (VA), max 0.5Amp, max voltage 110VAC.

230VAC type: max power 40 W (VA), max 1Amp. Values for resistive circuit. For inductive or capacitive loads, a contact protection circuit must be used.

Contact resistance: 150mOhms maxi (wires not included).

Wires: AWG24 cable, UL style 2464, PVC insulated, length 100, 500, 1000 or 2000mm.

Liquid limits: to be used with liquids chemically compatible with polypropylene and polystyrene, specific gravity higher than 0.9, dynamic viscosity higher than 0.5×10^{-4} Pa.s and lower than 10^{-2} Pa.s, without magnetic particles.

Ambient temperature: -20+65°C.

Maximum pressure: 1 bar (15 PSI).

Options: Slosh shield for use in turbulence applications, other cable length, electrical rating 70W, 1A, 250VAC.

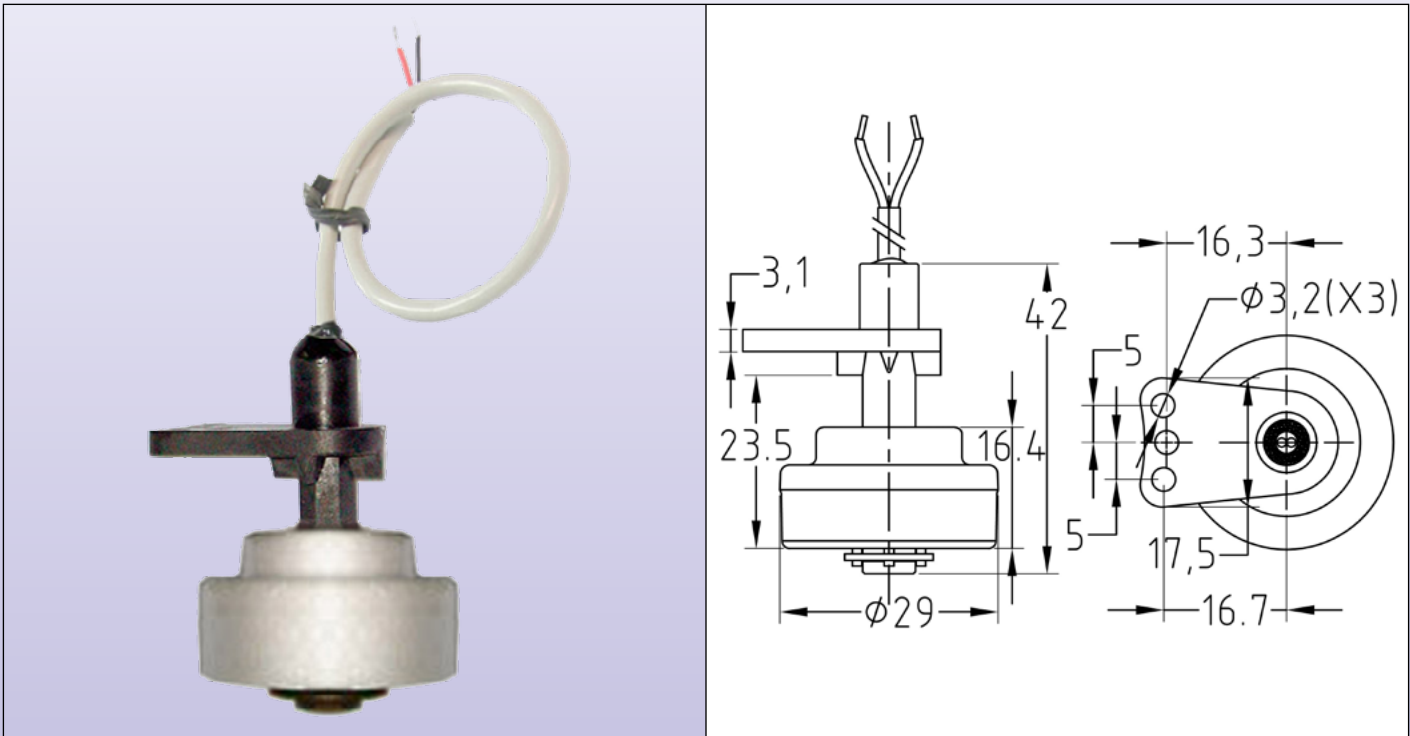
References:

Electrical Rating	Cable 100mm	Cable 500mm	Cable 1000mm	Cable 2000mm
10VA (max 110VAC)	DM5038H3320S1050	DM5038H3320S5050	DM5038H3320SA050	DM5038H3320SB050
40VA (max 230VAC)	DM5438H3320S1050	DM5438H3320S5050	DM5438H3320SA050	DM5438H3320SB050

Vertical mounting, reed switch contact, polypropylene stem with side mounting bracket, dia. 29 × 16.4mm EPS foam float, cable output, for near bottom detection



Float material	Mounting	Contact resistance	Ambient temperature	Maximum pressure	Type
EPS foam	Vertical	150 mOhms maxi	-20 +65°C	1 bar (15 PSI)	DM6



Use: low voltage circuits

Main applications: vending machines, air conditioning pumps, dehumidifiers. Large diameter float for near bottom detection. EPS foam float avoid float leaks, but reduces the maximum liquid temperature

Stem material: polypropylene

Float material: EPS foam with skin effect surface to avoid water absorption

Mounting: Vertical, side mounting bracket allows to screw it on the tank side, with 1 to 3 M3 screws.

Contact configuration: normally closed when float is down on the stem. It opens when float goes up to the wiring side. Upsetting the float changes the contact configuration into normally open

Electrical rating:

Low voltage type: maximum power 10 W (VA), max 0.5Amp, max voltage 110VAC.

230VAC type: max power 40 W (VA), max 1Amp. Values for resistive circuit. For inductive or capacitive loads, a contact protection circuit must be used.

Contact resistance: 150mOhms maxi (wires not included)

Wires: AWG24 cable, UL style 2464, PVC insulated, length 100, 500, 1000 or 2000mm

Liquid limits: to be used with liquids chemically compatible with polypropylene and polystyrene, specific gravity higher than 0.9, dynamic viscosity higher than 0.5×10^{-4} Pa.s and lower than 10^{-2} Pa.s, without magnetic particles.

Ambient temperature: -20+65°C.

Maximum pressure: 1 bar (15 PSI)

Options: other cable length, electrical rating 70W, 1A, 250VAC.

References:

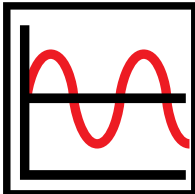
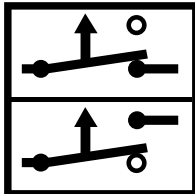

Electrical Rating	Cable 100mm	Cable 500mm	Cable 1000mm	Cable 2000mm
10VA (max 110VAC)	DM6038H3329S1050	DM6038H3329S5050	DM6038H3329SA050	DM6038H3329SB050
40VA (max 230VAC)	DM6438H3329S1050	DM6438H3329S5050	DM6438H3329SA050	DM6438H3329SB050

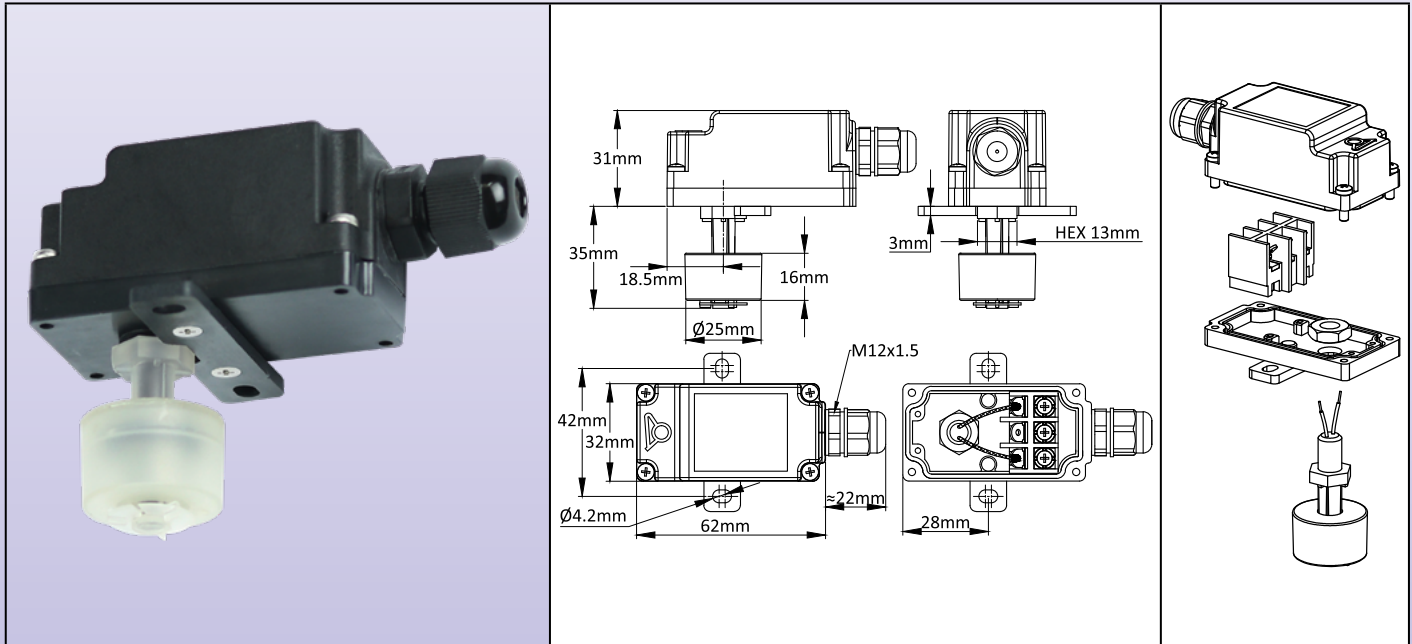
Because of permanent improvement of our products, drawings, descriptions, features used on these data sheets are for guidance only and can be modified without prior advice

Miniature vertical level switch with waterproof connection box



Because of permanent improvement of our products, drawings, descriptions, features used on these data sheets are for guidance only and can be modified without prior advice

Control	Rating	Reversible contact		Types
	10 VA 40 VA			DMB6F082825FA100 DMB8F082825FA100



Main applications: Water level control in vending machines, pumps, dehumidifiers, aquariums, swimming pool skimmers, electrochemical surface treatment tanks

Stem material: Polypropylene.

Float material: Hollow polypropylene.

Mounting: Vertical, fixing with the 2 hole bracket of the connection box.

Contact configuration: Normally closed when float is down on the stem. It opens when float goes up to connection box side. Upsetting the float changes the contact configuration into normally open.

Rating:

Low voltage type: Maximum power 10 W (VA), max 0.5Amp, max voltage 110VAC.

230VAC type: Maximum power 40 W (VA), max 1Amp. Values for resistive circuit. For inductive or capacitive loads, a contact protection circuit must be used.

Contact resistance: 150 milli-Ohms maxi.

Connection box: Black PA66 box, 61 × 33 × 30mm, IP69K, with 2.5mm² 3 way screw terminals, wire outputs by M12 cable gland.

Mounting: By bracket with 2 holes dia. 4.2mm, 42mm distance

Liquid limits: To be used with liquids chemically compatible with polypropylene, dynamic viscosity higher 0.5×10^{-4} Pa.s and lower than 10^{-2} Pa.s, specific gravity higher than 0.9, without magnetic particles.

Ambient temperature: -20+80°C

Options: Connector instead of cable gland, slosh shield for use in turbulent water applications; electrical rating 70W, 1A, 250VAC; level switch body in black polypropylene.

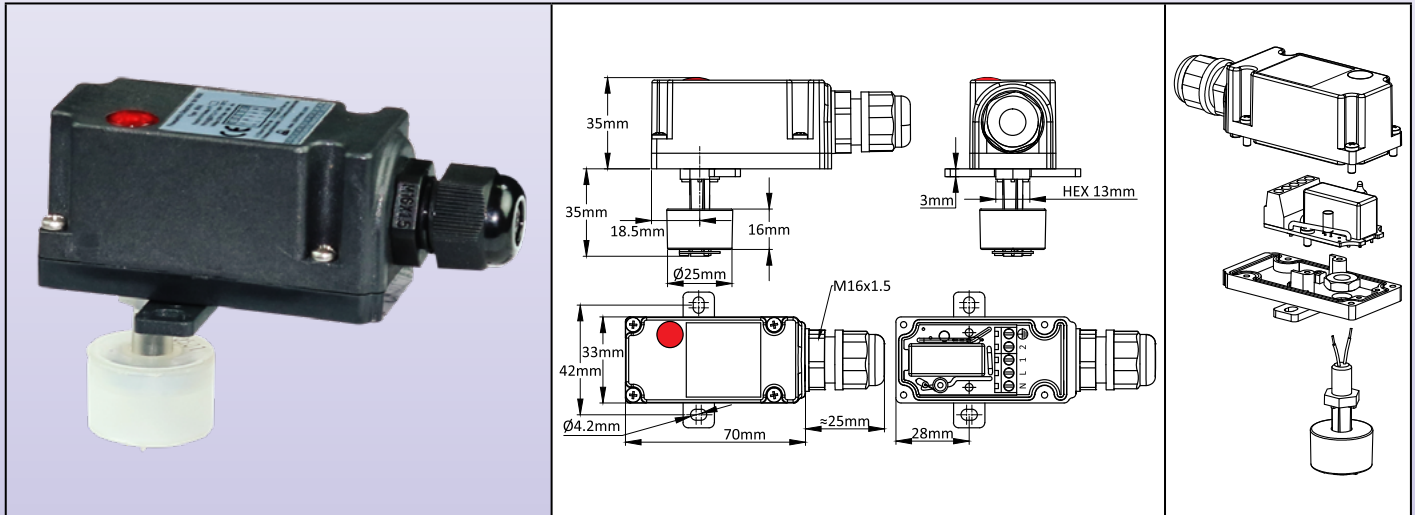
References:

Electrical Rating	References
10 VA	DMB6F082825FA100
40 VA	DMB8F082825FA100

Miniature vertical level switch with waterproof connection box and 16A 230V SPDT built-in relay



Control	Rating	Reversible contact		Type
	16A 230V			DMC8F082825FA2R0



Main applications: Water level control in vending machines, pumps, dehumidifiers, aquariums, swimming pool skimmers, electrochemical surface treatment tanks. **The built-in 16 230V power relay allows the direct control of 230V equipment. The pilot light displays the output contact position.**

Stem: Vertical, polypropylene.

Float material: Hollow polypropylene.

Mounting: Vertical, fixing with the 2 hole bracket of the connection box.

Contact configuration: Normally closed when float is down on the stem. It opens when float goes up to the connection box side.

Rating: 16A 250V, resistive load, 100.000 cycles. SPDT. Use in inductive circuits is possible, at reduced amps. Electronic circuit must be connected to 230V power supply, neutral and line.

Pilot light: red neon, 230V, connected to the relay contact output.

Connection box: Black PA66 box, 70 × 33 × 35mm, IP69K, with 2.5mm² 5 way screw terminals, wire outputs by M16 cable gland.

Mounting: By bracket with 2 holes dia. 4.2mm, 42mm distance.

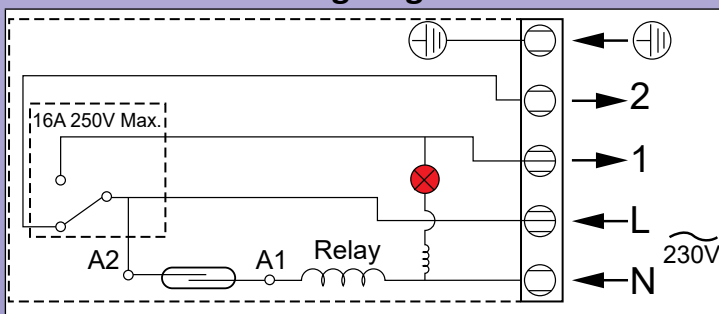
Liquid limits: To be used with liquids chemically compatible with polypropylene, dynamic viscosity higher 0.5 × 10⁻⁴ Pa.s and lower than 10⁻² Pa.s, specific gravity higher than 0.9, without magnetic particles.

Ambient temperature: -20+80°C

Options: Connector instead of cable gland, slosh shield for use in turbulent water applications; level switch body in black polypropylene.

This box with relay board and pilot light can be connected to most of Vertical float level switches. Contact us for your particular applications.

Wiring diagram



Reference

Reference	DMC8F082825FA2R0
-----------	------------------



Horizontal level switches using reed switch



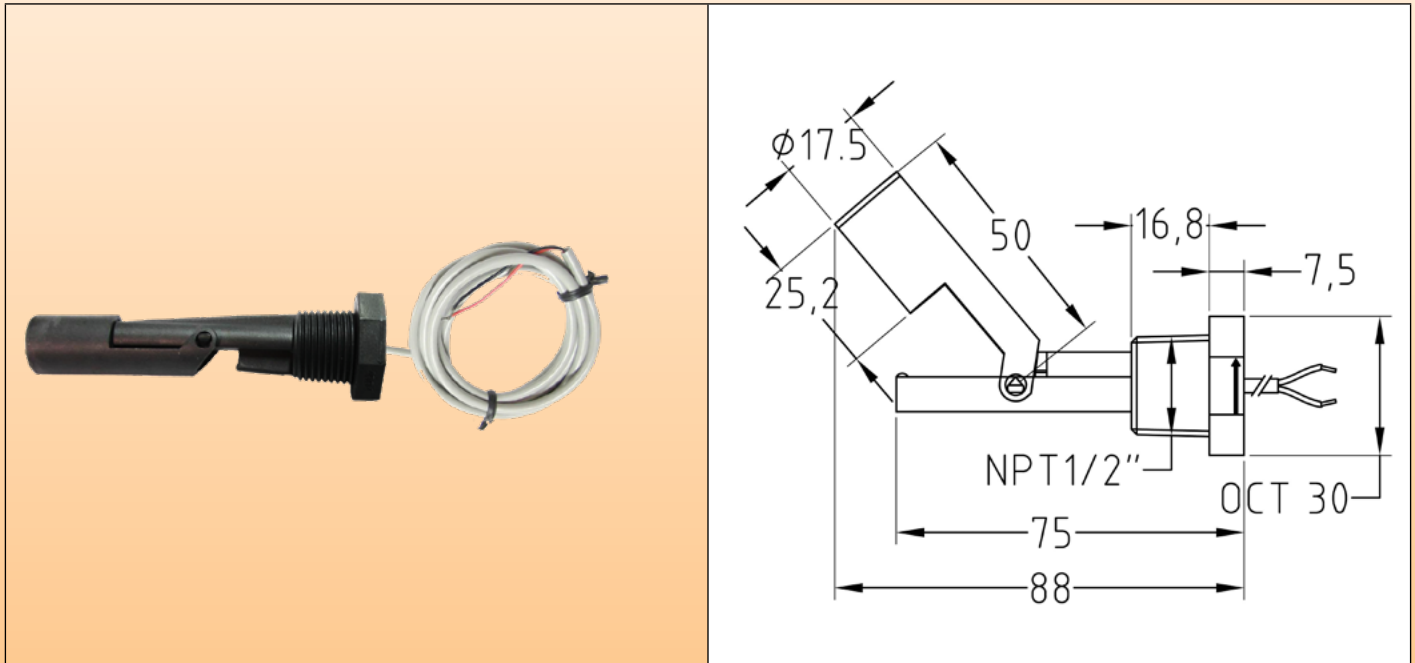
Because of permanent improvement of our products, drawings, descriptions, features used on these data sheets are for guidance only and can be modified without prior advice

Horizontal mounting, reed switch contact, PBT stem, hollow PBT float, Cable output, ½" NPT thread



Because of permanent improvement of our products, drawings, descriptions, features used on these data sheets are for guidance only and can be modified without prior advice

Float material	Mounting	Contact resistance	Ambient temperature	Maximum pressure	Type
Hollow PBT	Horizontal	150 mOhms maxi	-20+80°C	1 bar (15 PSI)	DT1



Use: low voltage circuits

Main applications: steam generators, coffee machines, vending machines, air conditioning pumps, dehumidifiers, tanks. The side mounting allows to adjust the level on big size tanks.

Stem material: PBT

Float material: hollow PBT

Mounting: horizontal on ½"NPT female fitting

Contact configuration: It opens when the float touch the stem. Two positions are possible:

-The float is on the top of the stem: contact is normally open (the float touch the stem when there is no liquid), and will close when the level rises and the float goes up

-The float is pending downside under the stem: contact is normally closed (the float does not touch the stem) and will open when the level rises and the float goes up and touch the stem.

Electrical rating:

Low voltage type: maximum power 10 W (VA), max 0.5Amp, max voltage 110VAC.

230VAC type: max power 40 W (VA), max 1Amp. Values for resistive circuit. For inductive or capacitive loads, a contact protection circuit must be used.

Contact resistance: 150mOhms maxi (wires not included)

Wires: AWG24 cable, UL style 2464, PVC insulated, length 100, 500, 1000 or 2000 mm

Liquid limits: to be used with liquids chemically compatible with PBT, specific gravity higher than 0.9, dynamic viscosity higher than 0.5×10^{-4} Pa.s and lower than 10^{-2} Pa.s, without magnetic particles.

Ambient temperature: -20+80°C

Maximum pressure: 1 bar (15 PSI)

Options: other cable length, electrical rating 70W, 1A, 250VAC.

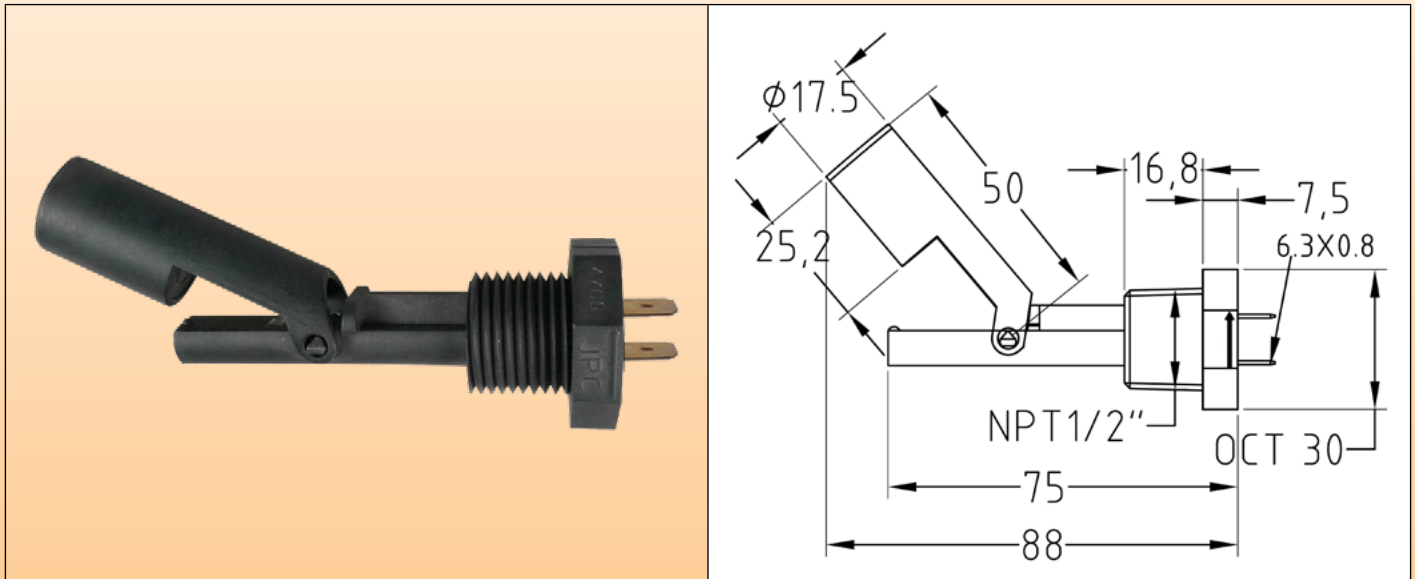
References:

Electrical Rating	Cable 100 mm	Cable 500 mm	Cable 1000 mm	Cable 2000 mm
10VA (max 110VAC)	DT10P207618E1050	DT10P207618E5050	DT10P207618EA050	DT10P207618EB050
40VA (max 230VAC)	DT14P207618E1050	DT14P207618E5050	DT14P207618EA050	DT14P207618EB050

Horizontal mounting, reed switch contact, PBT stem, hollow PBT float, 6.35 × 0.8 QC terminals, ½" NPT thread



Float material	Mounting	Contact resistance	Ambient temperature	Maximum pressure	Type
Hollow PBT	Horizontal	150 mOhms maxi	-20+80°C	1bar (15PSI)	DT2



Use: low voltage circuits

Main applications: steam generators, coffee machines, vending machines, air conditioning pumps, dehumidifiers, tanks. The side mounting allows to adjust the level on big size tanks.

Stem material: PBT

Float material: hollow PBT

Mounting: horizontal on ½" NPT female fitting

Contact configuration: It opens when the float touch the stem. Two positions are possible:

-The float is on the top of the stem: contact is normally open (the float touch the stem when there is no liquid), and will close when the level rises and the float goes up

-The float is pending downside under the stem: contact is normally closed (the float does not touch the stem) and will open when the level rises and the float goes up and touch the stem.

Electrical rating:

Low voltage type: maximum power 10 W (VA), max 0.5Amp, max voltage 110VAC.

230VAC type: max power 40 W (VA), max 1Amp. Values for resistive circuit. For inductive or capacitive loads, a contact protection circuit must be used.

Contact resistance: 150mOhms maxi

Wires: two 6.35 × 0.8 mm quick connect terminals (to be incorporated inside appropriate ingress protected equipment)

Liquid limits: to be used with liquids chemically compatible with PBT, specific gravity higher than 0.9, dynamic viscosity higher than 0.5×10^{-4} Pa.s and lower than 10^{-2} Pa.s, without magnetic particles.

Ambient temperature: -20+80°C

Maximum pressure: 1 bar (15 PSI)

Option: electrical rating 70W, 1A, 250VAC.

References:

Electrical Rating	Reference
10VA (max 110VAC)	DT20P207618E0021
40VA (max 230VAC)	DT24P207618E0021

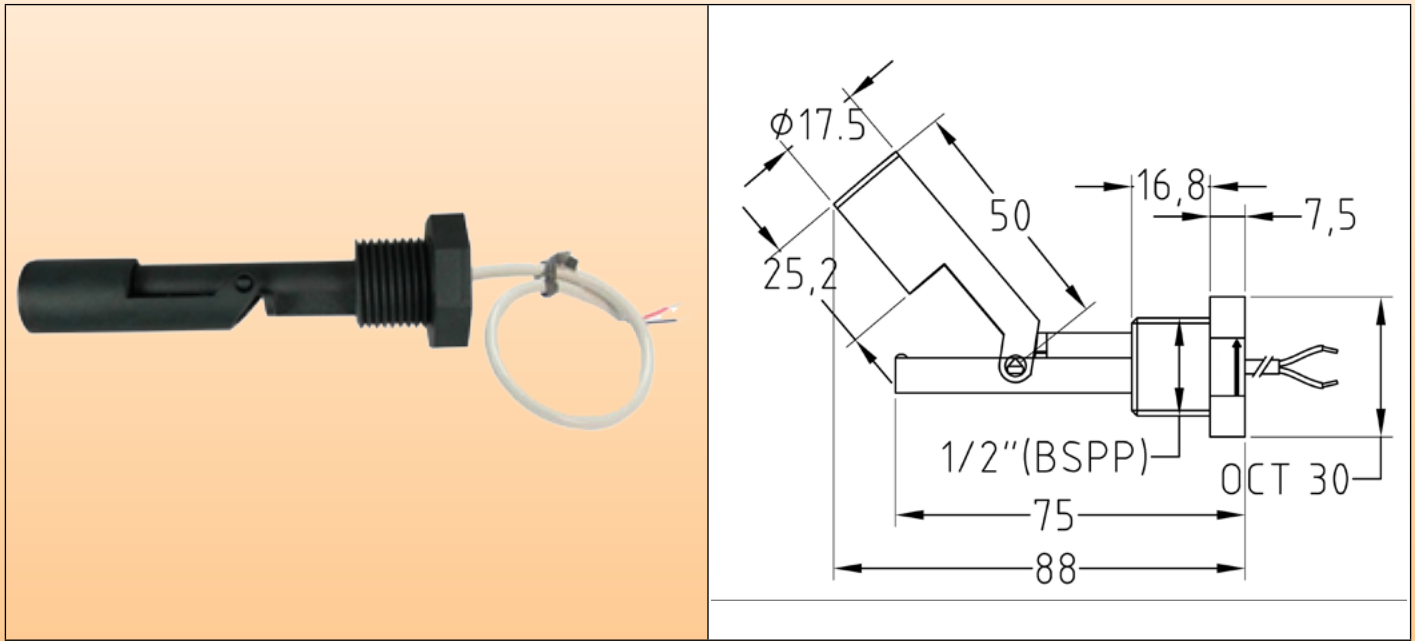
Because of permanent improvement of our products, drawings, descriptions, features used on these data sheets are for guidance only and can be modified without prior advice

Horizontal mounting, reed switch contact, PBT stem, hollow PBT float, Cable output, ½"BSPP thread



Because of permanent improvement of our products, drawings, descriptions, features used on these data sheets are for guidance only and can be modified without prior advice

Float material	Mounting	Contact resistance	Ambient temperature	Maximum pressure	Type
Hollow PBT	Horizontal	150 mOhms maxi	-20+80°C	1bar (15PSI)	DT3



Use: low voltage circuits

Main applications: steam generators, coffee machines, vending machines, air conditioning pumps, dehumidifiers, tanks. The side mounting allows to adjust the level on big size tanks.

Stem material: PBT

Float material: hollow PBT

Mounting: horizontal on ½"BSPP female fitting (flat NBR gasket supplied).

Contact configuration: It opens when the float touch the stem. Two positions are possible:

- *The float is on the top of the stem:* contact is normally open (the float touch the stem when there is no liquid), and will close when the level rises and the float goes up.
- *The float is pending downside under the stem:* contact is normally closed (the float does not touch the stem) and will open when the level rises and the float goes up and touch the stem.

Electrical rating:

Low voltage type: maximum power 10 W (VA), max 0.5Amp, max voltage 110VAC.

230VAC type: max power 40 W (VA), max 1Amp Values for resistive circuit. For inductive or capacitive loads, a contact protection circuit must be used.

Contact resistance: 150mOhms maxi (wires not included)

Wires: AWG24 cable, UL style 2464, PVC insulated, length 100, 500, 1000 or 2000 mm.

Liquid limits: to be used with liquids chemically compatible with PBT, specific gravity higher than 0.9, dynamic viscosity higher than 0.5×10^{-4} Pa.s and lower than 10^{-2} Pa.s, without magnetic particles.

Ambient temperature: -20+80°C.

Maximum pressure: 1 bar (15 PSI).

Options: other cable length, electrical rating 70W, 1A, 250VAC.

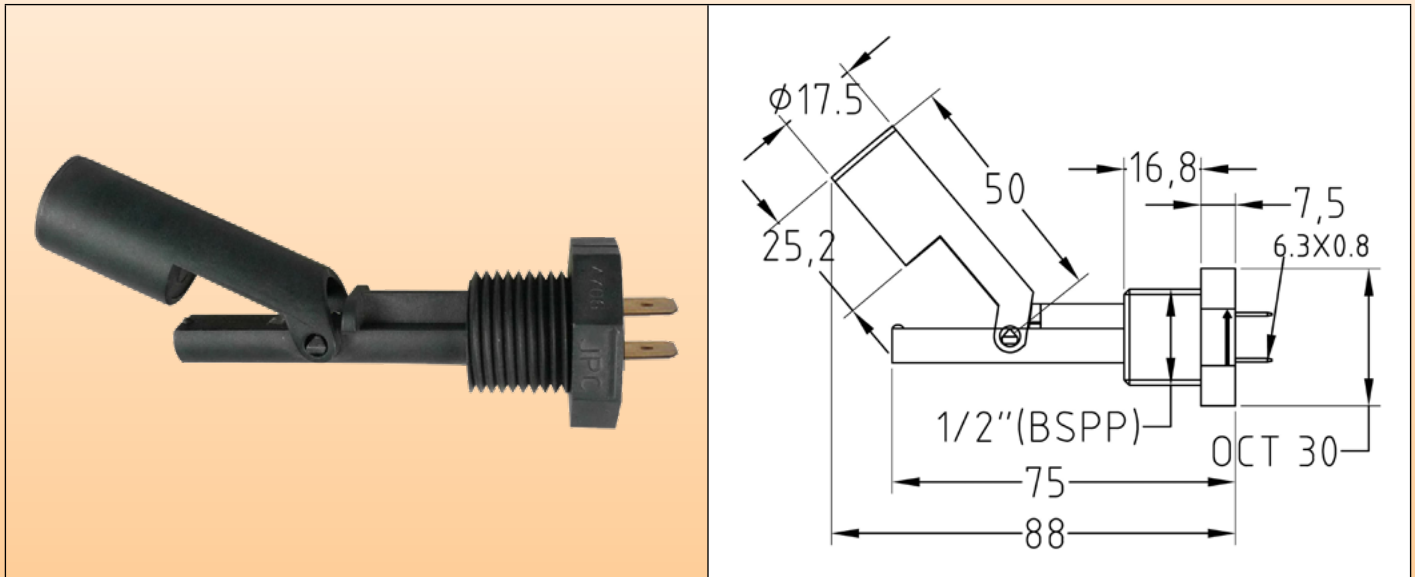
References:

Electrical Rating	Cable 100 mm	Cable 500 mm	Cable 1000 mm	Cable 2000 mm
10VA (max 110V alt.)	DT30P207618G1050	DT30P207618G5050	DT30P207618GA050	DT30P207618GB050
40VA (max 230V alt.)	DT34P207618G1050	DT34P207618G5050	DT34P207618GA050	DT34P207618GB050

Horizontal mounting, reed switch contact, PBT stem, hollow PBT float, 6.35 × 0.8 QC terminals, ½"BSPP thread



Float material	Mounting	Contact resistance	Ambient temperature	Maximum pressure	Type
Hollow PBT	Horizontal	150 mOhms maxi	-20+80°C	1bar (15PSI)	DT4



Use: low voltage circuits

Main applications: steam generators, coffee machines, vending machines, air conditioning pumps, dehumidifiers, tanks. The side mounting allows to adjust the level on big size tanks.

Stem material: PBT.

Float material: hollow PBT.

Mounting: horizontal on ½"BSPP female fitting (flat NBR gasket supplied).

Contact configuration: It opens when the float touch the stem. Two positions are possible:

- *The float is on the top of the stem:* contact is normally open (the float touch the stem when there is no liquid), and will close when the level rises and the float goes up.
- *The float is pending downside under the stem:* contact is normally closed (the float does not touch the stem) and will open when the level rises and the float goes up and touch the stem.

Electrical rating:

Low voltage type: maximum power 10 W (VA), max 0.5Amp, max voltage 110VAC.

230VAC type: max power 40 W (VA), max 1Amp Values for resistive circuit. For inductive or capacitive loads, a contact protection circuit must be used.

Contact resistance: 150mOhms maxi

Wires: two 6.35 × 0.8 mm quick connect terminals (to be incorporated inside appropriate ingress protected equipment)

Liquid limits: to be used with liquids chemically compatible with PBT, specific gravity higher than 0.9, dynamic viscosity higher than 0.5×10^{-4} Pa.s and lower than 10^{-2} Pa.s, without magnetic particles.

Ambient temperature: -20+80°C.

Maximum pressure: 1 bar (15 PSI).

Option: electrical rating 70W, 1A, 250V.

References:

Electrical Rating	Reference
10VA (max 110VAC)	DT40P207618G0021
40VA (max 230VAC)	DT44P207618G0021

Because of permanent improvement of our products, drawings, descriptions, features used on these data sheets are for guidance only and can be modified without prior advice



ULTIMHEAT

HEAT & CONTROLS



Catalogues collection on
www.ultimheat.com

Electromechanical components & OEM heating sub-assemblies manufacturer

- Mechanical thermostats
- Mechanical safeties single & three poles
- ATEX thermostats & safeties
- Flow through liquid heaters
- Immersion heaters
- Heating elements for air and liquid
- Connection blocks
- Housings for corrosive environments
- Flow switches
- Level switches
- Pressure switches and air switches
- Fusible links and fire detection mechanisms
- Tracing equipment
- **Taylor made solutions**